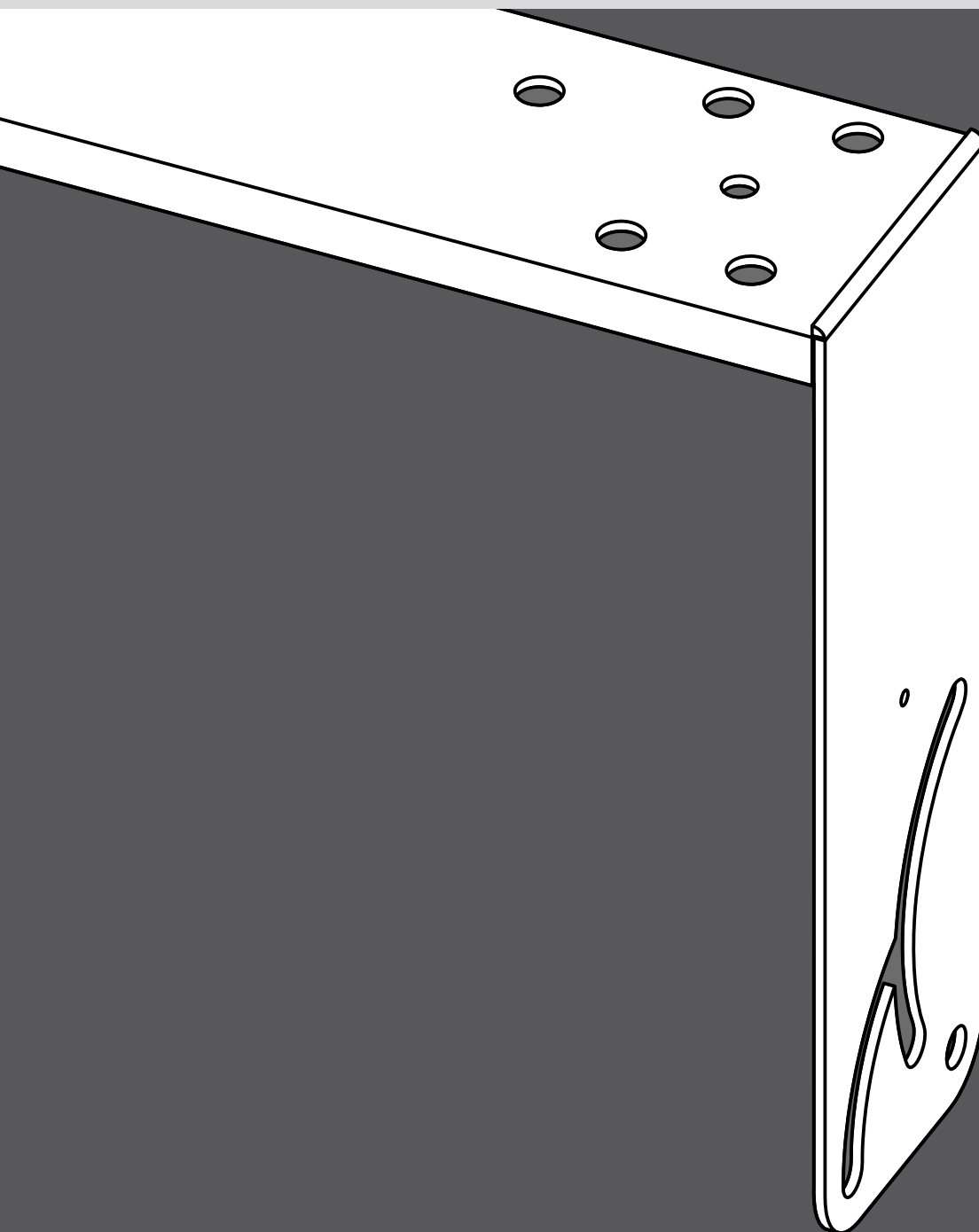


# Z

## Z5409/11 Mounting instructions 1.2 en



## **General information**

Z5409/11 Mounting instructions

Version: 1.2 en, 03/2020, D2960.EN .01

Copyright © 2020 by d&b audiotechnik GmbH & Co. KG; all rights reserved.

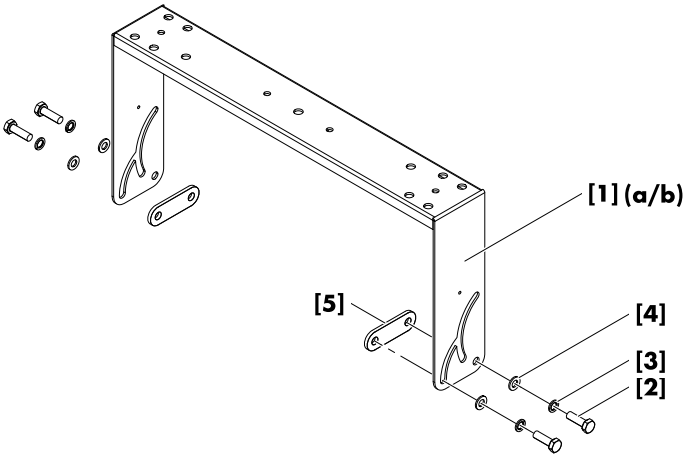
**Keep this document with the product or in a safe place so that it is available for future reference.**

When reselling this product, hand over this document to the new owner.

d&b audiotechnik GmbH & Co. KG  
Eugen-Adolff-Str. 134, D-71522 Backnang, Germany  
T +49-7191-9669-0, F +49-7191-95 00 00  
docadmin@dbaudio.com, www.dbaudio.com

<b>1</b>	<b>Z5409/11 Horizontal bracket 10S/12S</b>	<b>4</b>
1.1	Scope of supply	4
1.2	Safety precautions	4
1.3	Intended use	5
1.4	Mounting options and angle settings	5
1.5	Assembly	6
1.6	Adjustments	7
<b>2</b>	<b>Fixing templates</b>	<b>8</b>
<b>3</b>	<b>Built-in dimensions</b>	<b>10</b>
<b>4</b>	<b>Declarations</b>	<b>12</b>
4.1	Manufacturer's declaration	12
4.2	Disposal	12

# 1 Z5409/11 Horizontal bracket 10S/12S



Scope of supply

## 1.1 Scope of supply

Please verify the shipment for completeness and proper condition of the items.

Qty.	d&b Code	Description
1	<b>Z5409</b>	d&b Horizontal bracket 10S [ <b>1a</b> ]
1	<b>Z5411</b>	d&b Horizontal bracket 12S [ <b>1b</b> ]
Each including:		
4		Hex head bolt M10 x 25 [ <b>2</b> ]
4		Spring washer [ <b>3</b> ]
4		U washer [ <b>4</b> ]
2		Rubber pad [ <b>5</b> ]
1	D2960.EN .01	Mounting instructions

Weight Horizontal bracket 10S .....2.9 kg / 6.4 lb

Weight Horizontal bracket 12S .....3.1 kg / 6.8 lb

## 1.2 Safety precautions

### General safety

Installation and setup should only be carried out by qualified and authorized personnel observing the valid national Rules for the Prevention of Accidents (RPA).

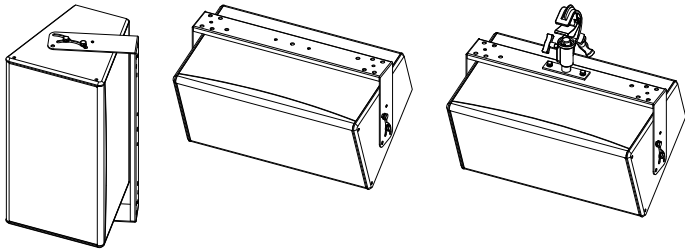
It is the responsibility of the person installing the assembly to ensure that the suspension/fixing points are suitable for the intended use.

Always carry out a visual and functional inspection of the items before use. In case you have any doubt as to the proper functioning and safety of the items, these must be withdrawn from use immediately.

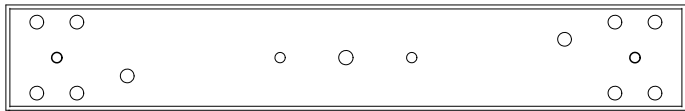
### Load safety information

The maximum permitted working load of the Z5409 Horizontal bracket 10S is 13 kg (29 lb) (according to BGV C1) which corresponds to the weight of one 10S or 10S-D loudspeaker, respectively.

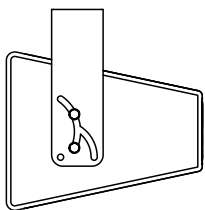
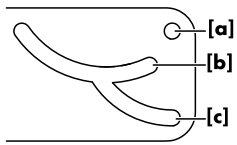
The maximum permitted working load of the Z5411 Horizontal bracket 12S is 17 kg (37 lb) (according to BGV C1) which corresponds to the weight of one 12S or 12S-D loudspeaker, respectively.



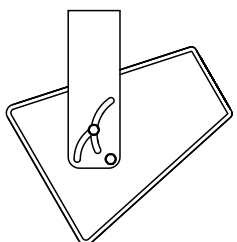
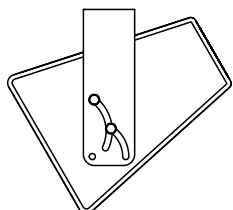
**Z5409/Z5411 Rigging examples**



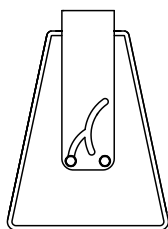
**Z5409/Z5411 Mounting holes**



0°  
-30°



-30°  
90°



### 1.3 Intended use

The d&b Z5409/Z5411 Horizontal bracket 10S/12S must only be used in conjunction with the d&b xS-Series loudspeakers 10S/10S-D (Z5409) and 12S/12S-D (Z5411) as described in these mounting instructions.

#### The bracket can be:

- directly mounted to walls.
- directly mounted to ceilings or other suitable surfaces.
- horizontally flown and mounted to bars and truss with a tube diameter of up to 70 mm (2.75") using the Z5010 TV spigot and the Z5012 Pipe clamp.

**Note:** Refer to the specific mounting instructions for assembly and operation of these accessories.

### 1.4 Mounting options and angle settings

Mounting holes are provided on the tie bar of the bracket.

One centered 9 mm (0.35") hole is provided at each end of the tie bar for fixing the bracket directly to walls or ceilings or other suitable surfaces.

Two centered 9 mm (0.35") holes at the d&b standard spacing of 115 mm (4.5") are provided to allow the attachment of the Z5010 TV spigot.

Five mounting holes are provided at each end of the tie bar to attach the Z5044 MAX Bracket connector, the Z5053 Ci60/Ci90 Bracket connector or the Z5054 Ci60/Ci90 Flying adapter.

One 11 mm (0.43") hole [a] and two semi-circular slots [b], [c] are located at each end of the bracket.

Using the M10 threaded inserts at the top and bottom of the loudspeaker cabinets, the bracket can be attached in two directions to allow angle settings over a range of 105° starting from +15° through to -90°. The following mounting options and coverage angles are possible.

#### Option 1

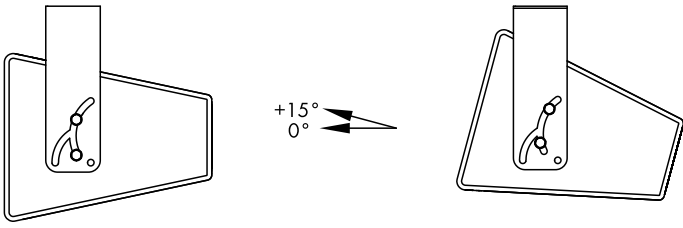
The bracket is attached to the cabinet with hole [a] facing to the front of the cabinet. Both bolts are fitted into slot [b].

The vertical coverage angle can be set over a range of 30° starting from 0° to -30°.

#### Option 2

The bracket is attached to the cabinet with hole [a] facing to the back of the cabinet. One bolt is fitted into hole [a] and the second one is fitted into the axis of slot [b] and slot [c] to allow the bolt to move in slot [c].

The vertical coverage angle can be set over a range of 60° starting from -30° to -90°.



### Option 3

The bracket is attached to the cabinet with hole **[a]** facing to the back of the cabinet. Both bolts are fitted into slot **[b]**.

The vertical coverage angle can be set over a range of 15° starting from 0° to +15°.

## 1.5 Assembly

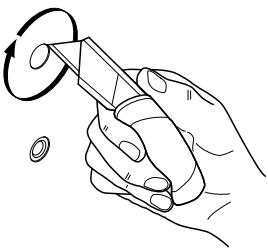
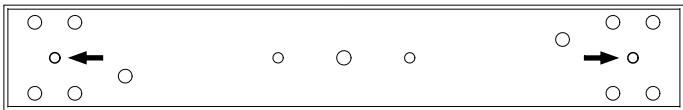
### Attaching the bracket to walls or ceilings

#### NOTICE!

Only use mounting parts (fixing anchors and screws) that are suitable for the intended application.

Observe the occurring extraction forces acting on the fixing anchors and screws. The rated extraction forces for the respective application (wall or ceiling mounting) and cabinet are listed in the following table.

Application	Rated extraction forces	
	10S	12S
Wall mounting	250 N	300 N
Ceiling mounting	150 N	200 N



To attach the bracket to walls or ceilings, use the holes shown in the graphic opposite to provide adequate support.

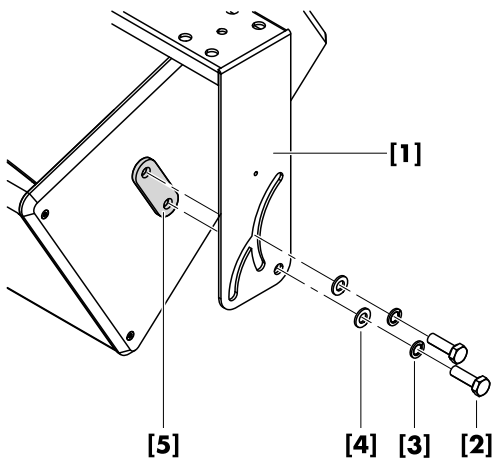
A corresponding fixing template is supplied with these mounting instructions. Refer to ⇒ Chapter 2 "Fixing templates" on page 8.

#### Preparing the cabinet

The top and bottom panels of the loudspeaker cabinet are each equipped with a pair of M10 threads. The threads are covered by dummy caps in cabinet color.

#### To remove the cap, proceed as follows:

1. Cut out the cap along the recessed spline using an appropriate cutting knife.
2. Carefully take off the cap and ensure the cabinet coating is not peeled off.



## Attaching the cabinet to the bracket

### NOTICE!

Only use the supplied and specified screws [2], otherwise there is a risk of damaging the threaded inserts.

Always use the spring washers [3] and U washers [4] to prevent the bolts from slackening.

Always place the rubber pads [5] between the bracket and the cabinet to prevent the cabinet coating from scratching during assembly and adjustment.

### Tools required:

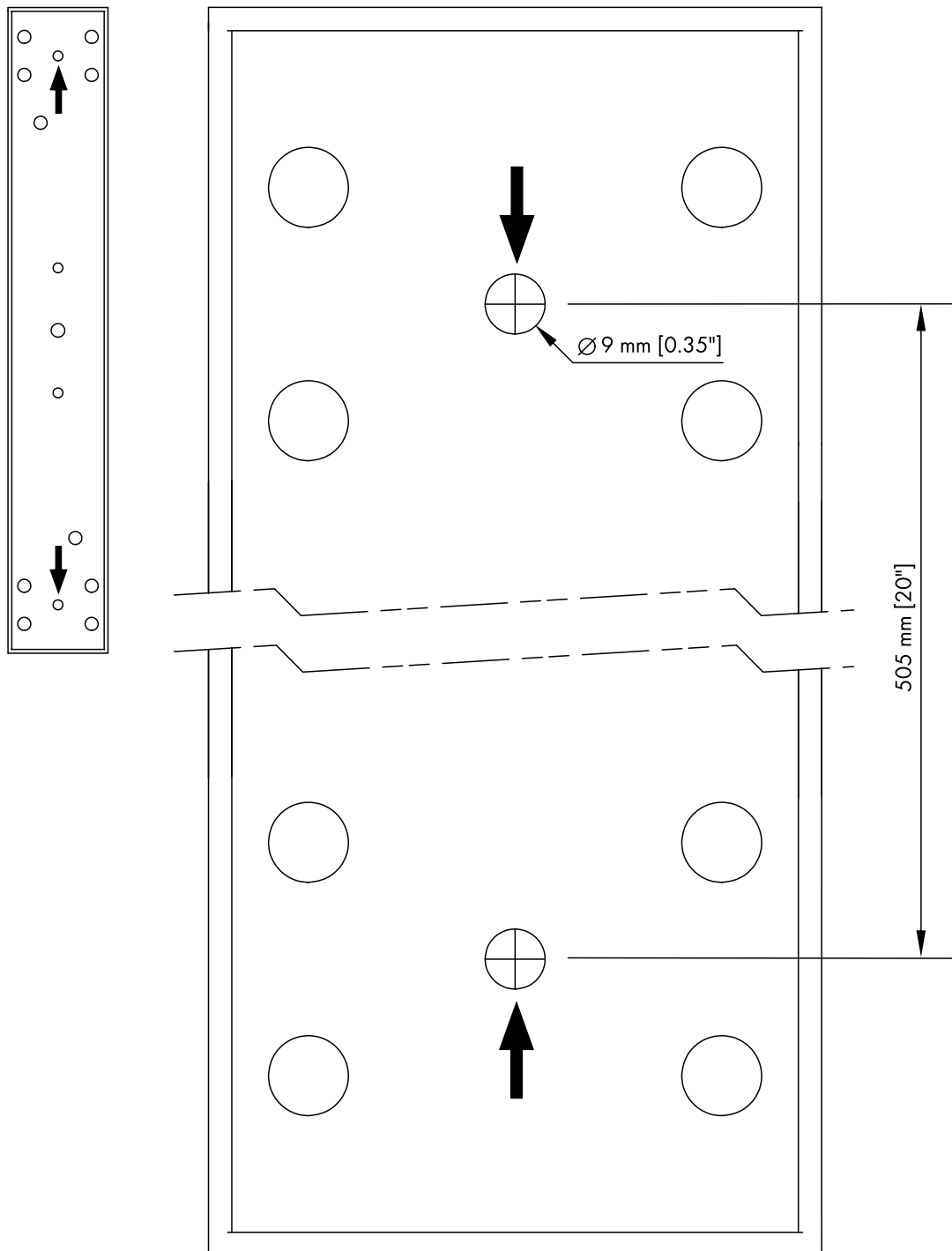
- Open-ended spanner/wrench (size #17)
1. Starting on one side, first align one hole of the rubber pad with one threaded insert.
  2. Insert one screw together with the spring and U washers.
  3. Align the second hole of the rubber pad with the second threaded insert.
  4. Insert the second screw together with the spring and U washers.
  5. Tighten both screws.
    - ↳ This will simplify the attachment of the rubber pad on the opposite side.
  6. On the opposite side, proceed in the same manner.

### 1.6 Adjustments

To align the cabinet to its desired angle, proceed as follows:

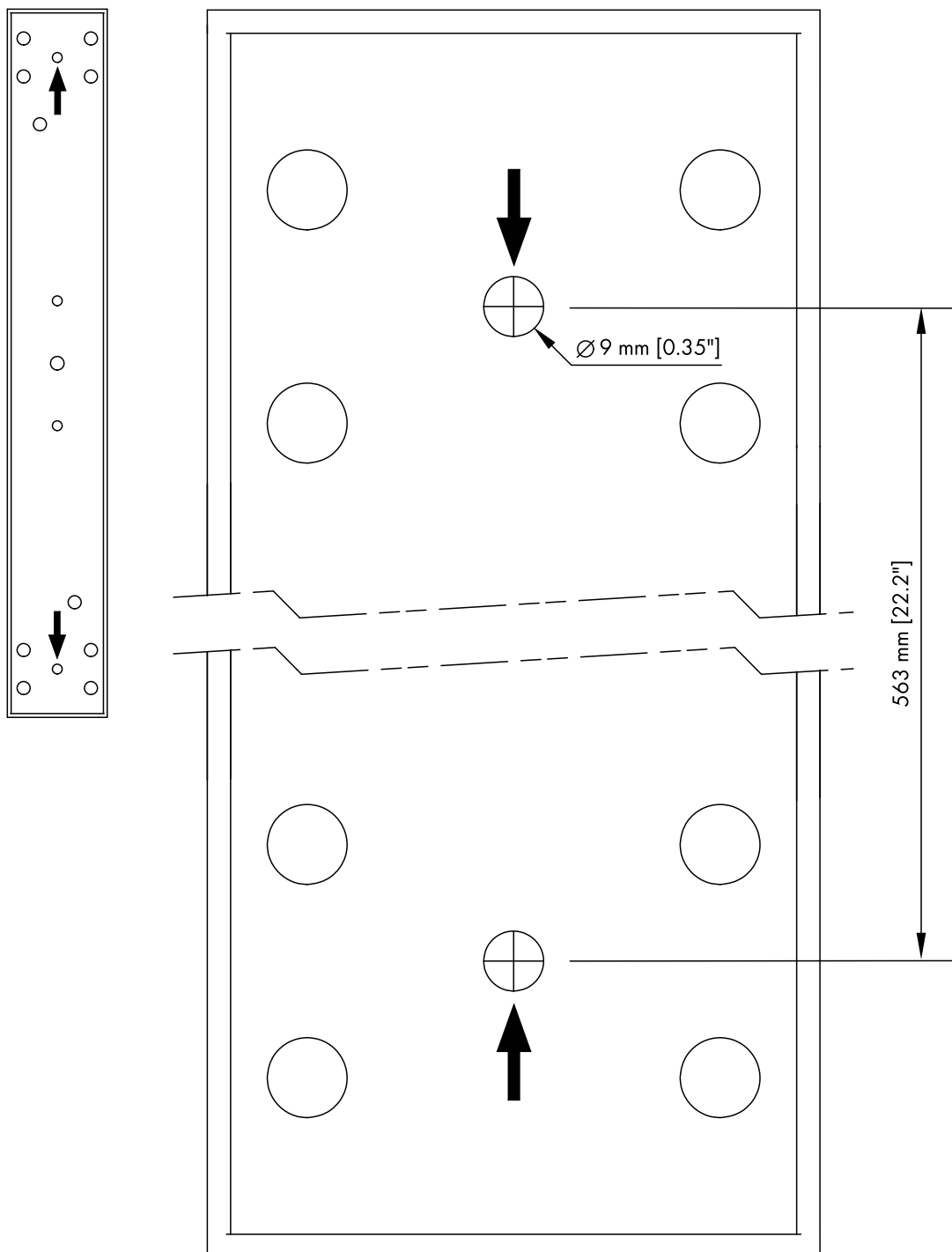
1. Slightly slacken all screws.
2. Align the cabinet to its desired angle.
3. Finally tighten all screws.

## 2 Fixing templates



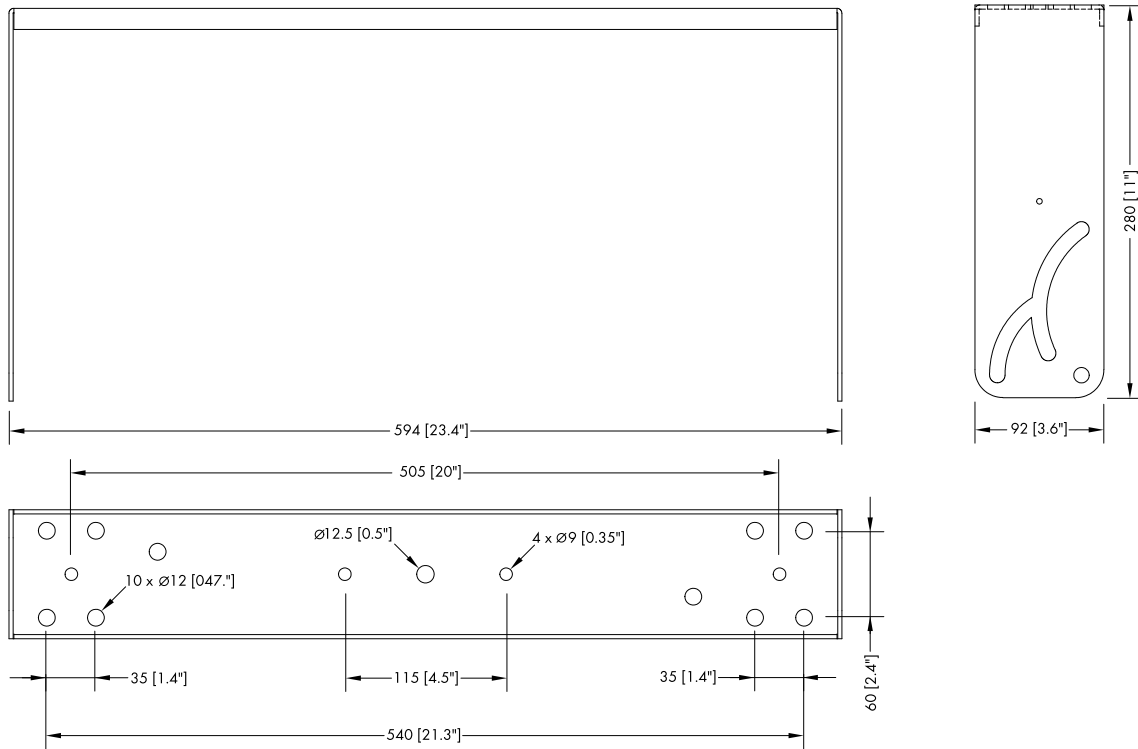
**Z5409 Horizontal bracket 10S, fixing template**



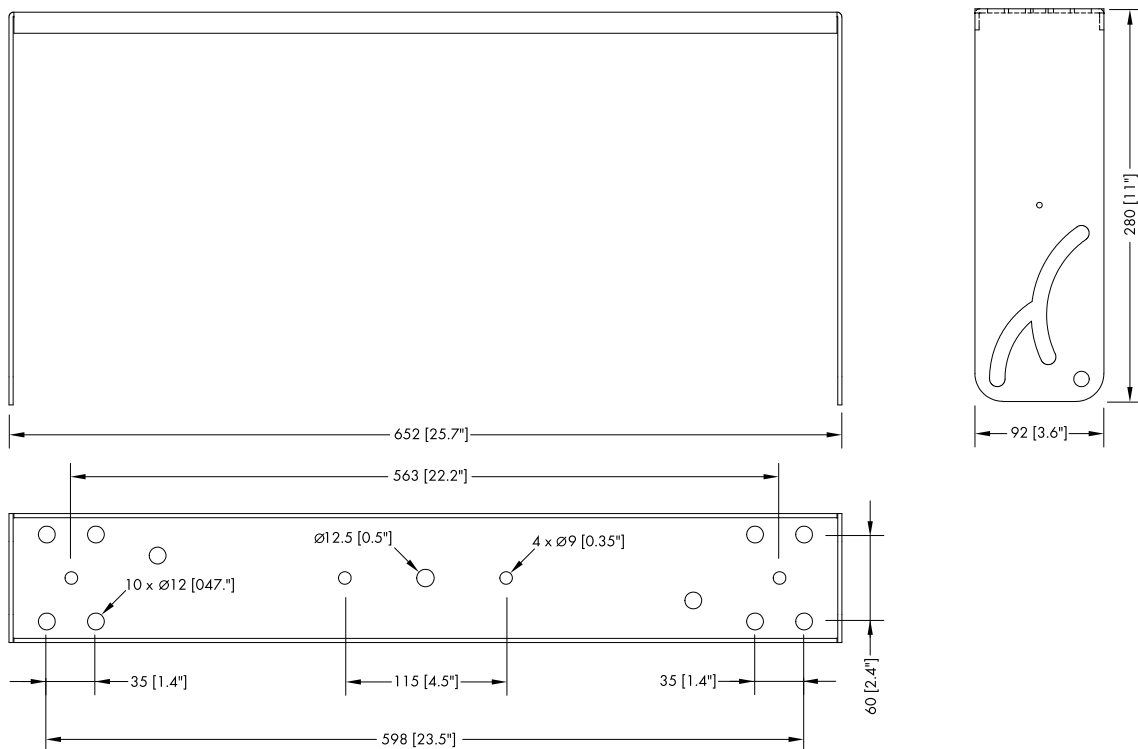


**Z5411 Horizontal bracket 12S, fixing template**

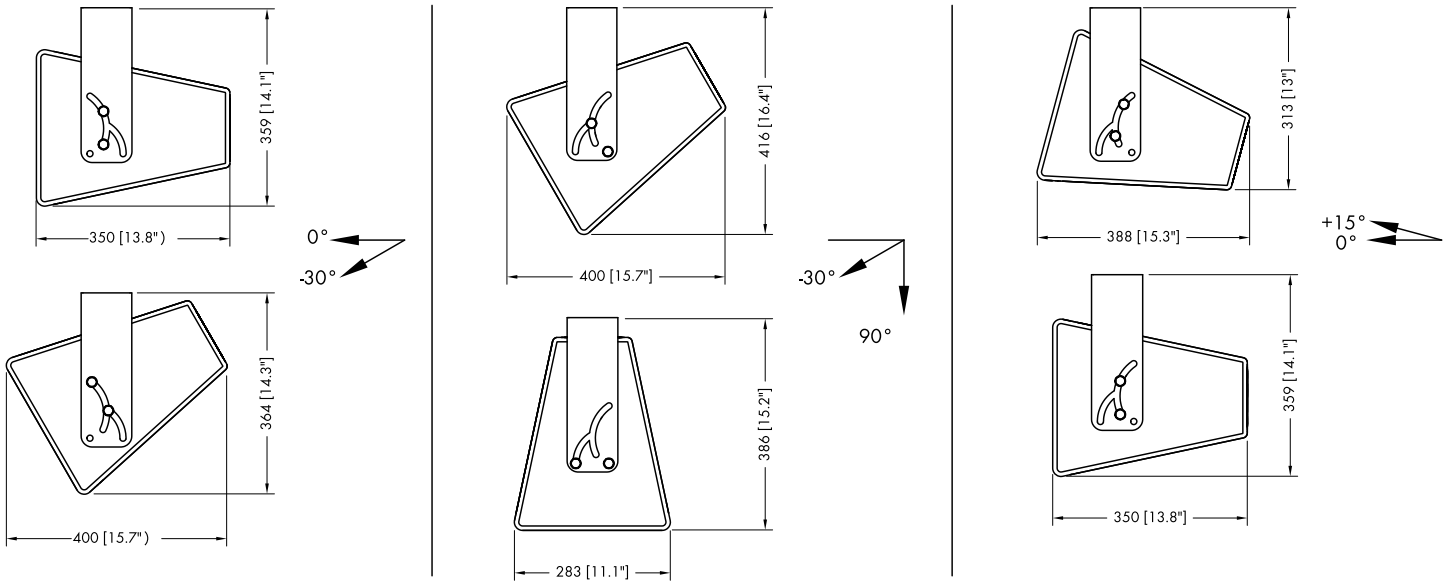
### 3 Built-in dimensions



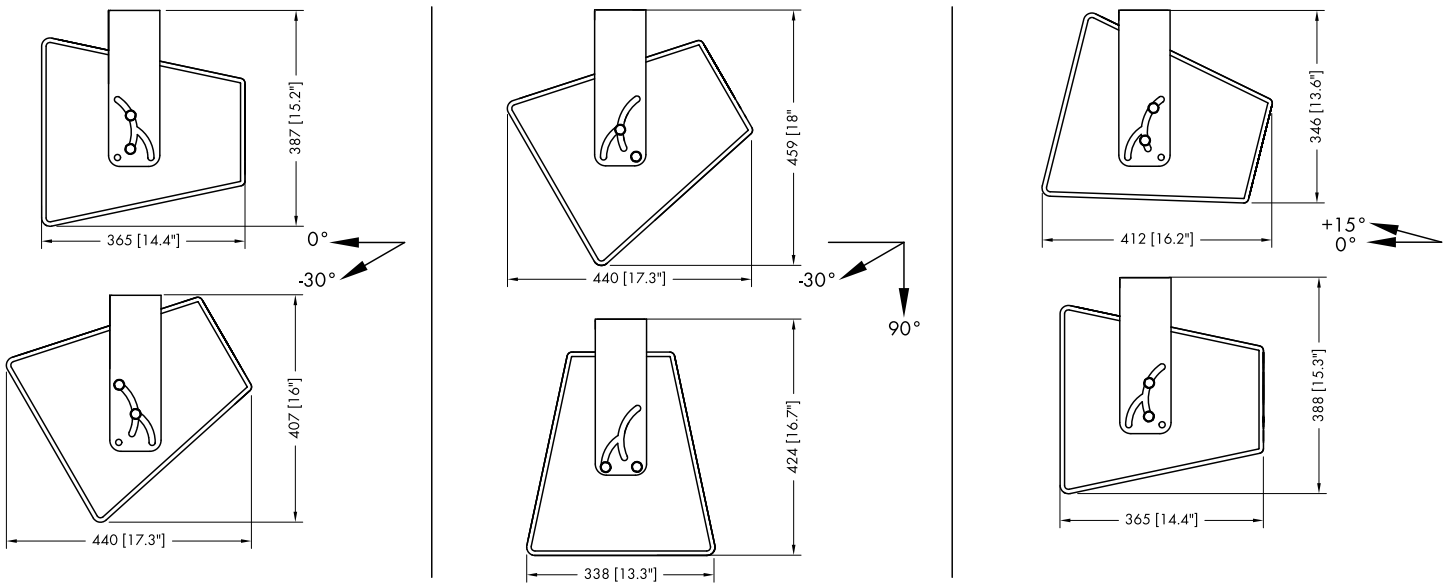
**Z5409 Horizontal bracket 10S, dimensions in mm [inch]**



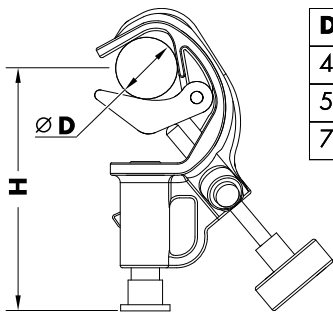
**Z5411 Horizontal bracket 12S, dimensions in mm [inch]**



**Z5409 Horizontal bracket 10S, mounting options 1,2 and 3 and built-in dimensions in mm [inch]**



**Z5411 Horizontal bracket 12S, mounting options 1,2 and 3 an built-in dimensions in mm [inch]**



<b>D</b>	<b>H</b>
40 mm [1.6"]	205 mm [8"]
50 mm [2"]	197 mm [7.75"]
70 mm [2.75"]	181 mm [7"]

**Built-in dimensions Z5010/Z5012 Assembly**

### 4.1 Manufacturer's declaration

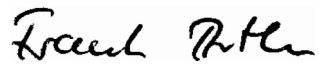
This declaration covers:

- d&b Z5409 Horizontal bracket 10S
- d&b Z5411 Horizontal bracket 12S.

### National standards and technical specifications applied:

DIN 18 800, DIN 1055, DGUV Vorschrift 17, BGI 810-3.

Backnang, 2011-03-25



Frank Bothe,  
Chief Technology Officer (CTO)  
d&b audiotechnik GmbH & Co.  
KG



### 4.2 Disposal

When out of use the rigging components must be disposed of in accordance with the national environmental regulations.

Ensure that damaged rigging components are disposed of in a way that they cannot be used again.

